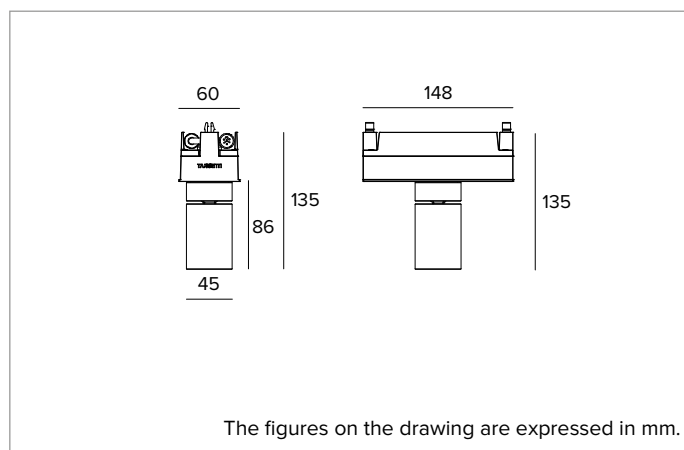


1E4077CA | IVY Single projector

Adjustable LED 1x light module, powered at low voltage, to be installed into the installation profile



	2700K	H(m)	D(m)	Emax(lx)		
Ra90				53°		
Fixture Power	7W	1	1.00	649		
Source Flux	745lm	2	2.00	162		
Fixture Flux	526lm	3	3.01	72		
Efficacy	80lm/W	4	4.01	41		
TS1647	Imax=871cd/klm	Imax	649cd	5	5.01	26



SOURCE

High efficiency Chip on Board LED Ra90.

Energy efficiency class: F

Nominal power: 5,9W

Nominal flux: 745lm

Colour rendering index: 90

Rf: 92

Rg: 99

CCT nominal: 2700K

SDCM: 3

Lifetime (L80/B10): >50000h tq +25°C

ILLUMINOTECHNICAL CHARACTERISTICS

WFL beams. Optic equipped with an acrylic collimator lens and integrated holographic diffusive filter.

Optic: LENS

Beam angles: WFL

Optical efficiency: 71%

Fixture flux: 526lm

Luminous efficacy: 80lm/W

Photobiological safety: Compliant with RG1 low risk group

MECHANICAL CHARACTERISTICS

Cylindrical aluminium body obtained through CNC machining process and protected with a layer of black anodization with a minimum thickness of 15µ. Powder painted Ferrite grey. Tempered extra clear front glass. Aluminium joint with locking system. Adjustability of the optical unit of 90° on the vertical plane (friction locking system) and 355° on the horizontal plane with the possibility of mechanical aiming locking through no tools system. Electronic components hosted inside a polymeric plastic box sealed by a silicone rubber gasket.

Colour and finish: Ferrite

Dimensions: L=148mm

Weight: 0.45Kg

Version: CASAMBI

Degree of protection: IP65

ELECTRICAL CHARACTERISTICS

Fixture Power: 7W

Power supply: 48Vdc

Insulation Class: CLASS 3

Class F: YES

Ambient temperature: -25°C / +35°C

INSTALLATION

Fast connection system of the modules through anodized aluminium clips. Free positioning all over the installation profile according to installation needs with mechanical lock through Hex Key. Designed for connection in series through H05RN-F (0.15m + 0.15m) cable completed with male/female miniaturised IP65 connectors.

NOTES

Version with built-in Casambi control system (Casambi Ready). DALI control system available using a special accessory. Commissioning of the control system via free APP; the intervention of a specialist technician can be quoted on request.

WARRANTY

5 years.

WARNING

Luminaire designed for disposal/recycling at end-of-life. Replaceable (LED only) light source by a professional. Replaceable control gear by a professional.

Due to the technological evolution of the electronic components, the data provided may be updated, and as such, confirmation must be requested during the order process.

Luminous flux and power supply have +/-10% tolerances with respect to the indicated value. tq +25°C (CIE 121).

We reserve the right to make technical changes.

Targetti Sankey S.r.l.
Via Pratense, 164
50145 Firenze - Italy
Tel: +39 055 37911
targetti.com
targetti@targetti.com

CCIAA Firenze
Share Capital:
€ 500.000,00
VAT N. (IT):
01537660480
R.E.A: FI-275656

TARGETTI

1E4077CA | IVY Single projector

Adjustable LED 1x light module, powered at low voltage, to be installed into the installation profile

Related codes

Power Supply



Driver	Colour	Code
ON-OFF	●	1E4169

48Vdc driver box (IP65).
L=450mm 90W.
Equipped with connection cable H05RN-F (0.15m + 0.15m) complete with male/female IP65 connectors for 220V and miniaturized female IP65 connector for 48V.



Driver	Colour	Code
ON-OFF	●	1E4175

48Vdc driver box (IP65).
L=450mm 150W.
Equipped with connection cable H05RN-F (0.15m + 0.15m) complete with male/female IP65 connectors for 220V and miniaturized female IP65 connector for 48V.

Power Supply

Dimensions LxHxP mm	Power	Power supply	Output voltage	IP	Code
225x51x65	70W	220-240Vac	48Vdc	IP67	1E2320
225x51x65	150W	220-240Vac	48Vdc	IP67	1E2321

Electronic ON-OFF power supply.
Cable length 0.5m (IN and OUT).
To be completed with Connection kit 1E4184.

Dimensions LxHxP mm	Power	Power supply	Output voltage	IP	Code
225x36x60	60W	220-240Vac	48Vdc	IP20	1T6917EL
240x49x60	130W	220-240Vac	48Vdc	IP20	1T6916EL

Electronic ON-OFF power supply.
To be completed with Connection kit 1E4184.

Accessories

Cable



L mm	Code
500	1E4270
1000	1E4181
2000	1E4182
3000	1E4183

Connection cable complete with male/female connectors.

Tool



Code
1E4171

Microcrewdriver with hexagonal head (diameter 0.9mm) for wiring 1E4184 connection kit.

Connector



Code
1E4184

Connection kit 24/48V.
Wire not included.
Maximum cable diameter 7.5mm.
To be used for lengths >3m.



Code
1E2769

Linear connection box IP66/IP68.
5 poles max. wire section 1.5mm².
Cable diameter range from 7 to 12mm.

Due to the technological evolution of the electronic components, the data provided may be updated, and as such, confirmation must be requested during the order process.
Luminous flux and power supply have +/-10% tolerances with respect to the indicated value. tq +25°C (CIE 121).

We reserve the right to make technical changes.

Targetti Sankey S.r.l.
Via Pratese, 164
50145 Firenze - Italy
Tel: +39 055 37911
targetti.com
targetti@targetti.com

CCIAA Firenze
Share Capital:
€ 500.000,00
VAT N. (IT):
01537660480
R.E.A: FI-275656

TARGETTI

1E4077CA | IVY Single projector

Adjustable LED 1x light module, powered at low voltage, to be installed into the installation profile

Connector



Code

1E3184

IP68 4-way cable connector (5 pole).

Control systems



Code

1T8173CA

Bridge DALI/Casambi: a fixture that allows fixtures equipped with mesh Bluetooth Casambi to interface with a traditional DALI system and to be adjusted by a DALI control unit.

Inside the usual DALI circuit it is possible to have a maximum of 64 cabled DALI and Casambi wireless devices.

It only works with Casambi Evolution networks.

The DALI Bridge is transparent in the DALI system, and therefore does not require an address.

There is no need for a power supply given that it is supplied directly by the DALI bus.

To provide IP68 rating to the fixture complete with code 1E3184.

LxHxP=40.4x14x36.3mm.

Due to the technological evolution of the electronic components, the data provided may be updated, and as such, confirmation must be requested during the order process.

Luminous flux and power supply have +/-10% tolerances with respect to the indicated value. tq +25°C (CIE 121).

We reserve the right to make technical changes.

Targetti Sankey S.r.l.
Via Pratese, 164
50145 Firenze - Italy
Tel: +39 055 37911
targetti.com
targetti@targetti.com

CCIAA Firenze
Share Capital:
€ 500.000,00
VAT N. (IT):
01537660480
R.E.A: FI-275656

TARGETTI